



### Features

- Standard burst pressures from 2,500 to 12,500 psi
- Simple, intrinsically safe design
- Up to 750°F melt temperatures
- Accuracy of +/- 5%
- Inconel disc

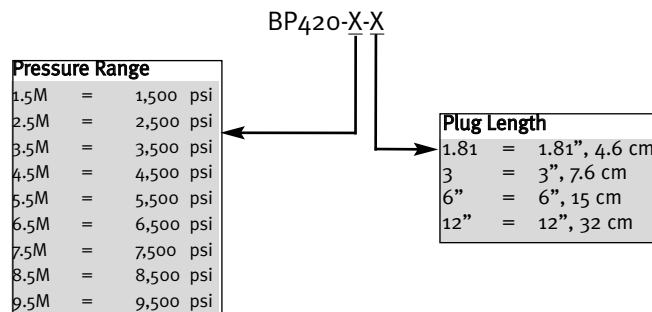
### Benefits

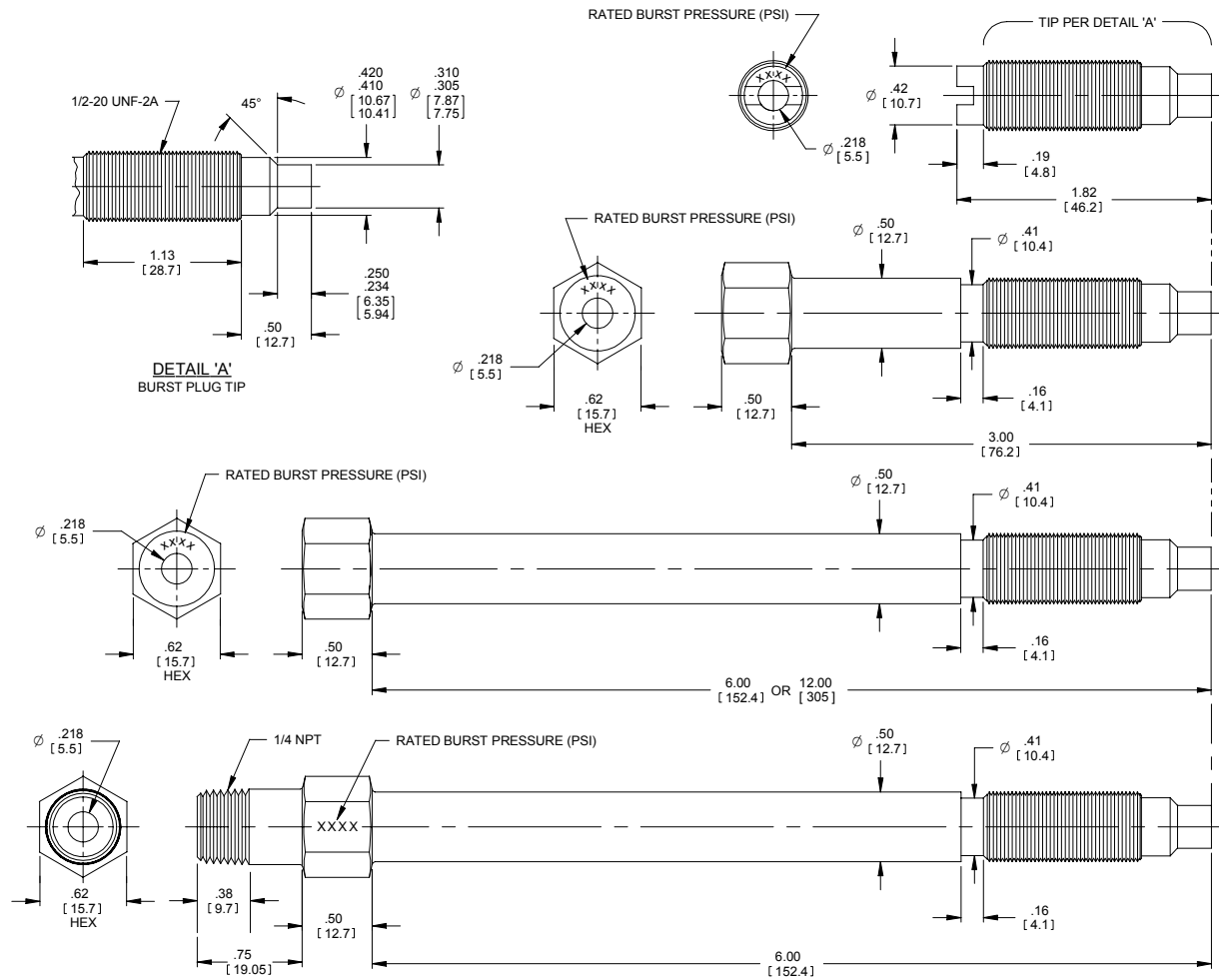
- Protection over wide pressure range
- Low installation and maintenance costs
- Designed for extrusion applications
- Reliable protection of personnel and machinery
- Approved for hazardous environments
- Robust sensing element

### Description

Rupture disks (burst plugs) are designed for reliable emergency relief of excess pressure since they instantaneously rupture at a specific predetermined pressure range. Dynisco’s model BP420 rupture disk is designed specifically for use in plastic extrusion. Each assembly consists of a 303 stainless steel body and an inconel rupture disk. A rupture disk may be specified for primary relief in applications where pressure build up can occur so rapidly that the response time of a relief valve is inadequate, such as in a polymerization reaction vessel.

### Ordering Guide





All dimensions are inches (mm).

**Dynisco LLC**  
38 Forge Parkway  
Franklin, MA 02038 (USA)

Phone +1 508 541 9400  
Fax +1 508 541 6206  
Email infoinst@dynisco.com

**Hotline 1-800-Dynisco**

**www.dynisco.com**